

# User Manual

FX205SE

NFC Android Reader



# Table of Contents

<b>1. Copyright</b>	<b>2</b>
<b>2. Trademarks</b>	<b>2</b>
<b>3. Warnings and safety notices</b>	<b>3</b>
<b>4. Limitation of liability</b>	<b>3</b>
<b>5. About this manual</b>	<b>3</b>
<b>6. Device layout</b>	<b>4</b>
<b>6.1 Overview</b>	<b>4</b>
<b>6.2 Back view</b>	<b>4</b>
<b>6.3 Buttons and the related</b>	<b>5</b>
<b>7. Package contents</b>	<b>5</b>
<b>8. Getting started</b>	<b>6</b>
<b>8.1 How to switch the device ON or OFF</b>	<b>6</b>
<b>8.2 Home screen and synchronization</b>	<b>7</b>
<b>8.3 LED colors</b>	<b>8</b>
<b>8.4 How to access the dashboard</b>	<b>8</b>
<b>8.5 How to find your specific Famoco ID</b>	<b>8</b>
<b>8.6 How to charge the device</b>	<b>8</b>
<b>8.7 How to change the battery</b>	<b>9</b>
<b>8.8 How to use the battery</b>	<b>10</b>
<b>8.9 How to read an NFC card</b>	<b>10</b>
<b>8.10 About the SIM/SAM slots</b>	<b>10</b>
<b>9. Technical specifications</b>	<b>11</b>
<b>10. Warranty information</b>	<b>112</b>
<b>11. Safety and general information</b>	<b>12</b>
<b>11.1 Electromagnetic waves safety information – SAR</b>	<b>15</b>
<b>12. Declaration of Conformity</b>	<b>16</b>
<b>13. Frequency band information</b>	<b>17</b>
<b>14. Restrictions in the 5 GHz band</b>	<b>17</b>

# 1. Copyright

Copyright ©2021 Famoco. All rights reserved.

This manual is protected under international copyright laws.

No part of this manual may be reproduced, distributed, translated, or transmitted in any form or by any means, electronic or mechanical, including photocopying, recording, or storing in any information storage and retrieval system, without the prior written permission of Famoco.

We reserve the right to make modifications on print errors or update specifications without prior notice.

# 2. Trademarks

- Famoco and the Famoco logo are registered trademarks of Famoco.
- The Android logo is a trademark of Google, Inc.
- Bluetooth® is a registered trademark of Bluetooth SIG, Inc. worldwide.
- Wi-Fi® and the Wi-Fi logo are registered trademarks of the Wi-Fi Alliance.
- All other trademarks and copyrights are the property of their respective owners.

FAMOCO SAS

59 avenue Victor Hugo, 75116 Paris – FRANCE

[contact@famoco.com](mailto:contact@famoco.com)

[www.famoco.com](http://www.famoco.com)

## **3. Warnings and safety notices**

Please read all the safety notices before using this device. Do not use the device near fuel or chemicals or in any prescribed area such as service stations and refineries. Do not transport or store flammable gas, liquid or explosives in the same compartment of your vehicle as your device and accessories.

## **4. Limitation of liability**

Famoco shall not be liable for any loss of profits or indirect, special, incidental or consequential damages resulting from or arising out of or in connection with using this product, whether or not Famoco had been advised, knew or should have known the possibility of such damages.

## **5. About this manual**

Congratulations on becoming the owner of a Famoco FX205 SE device. This user manual is specially designed to detail the device's functions and features.

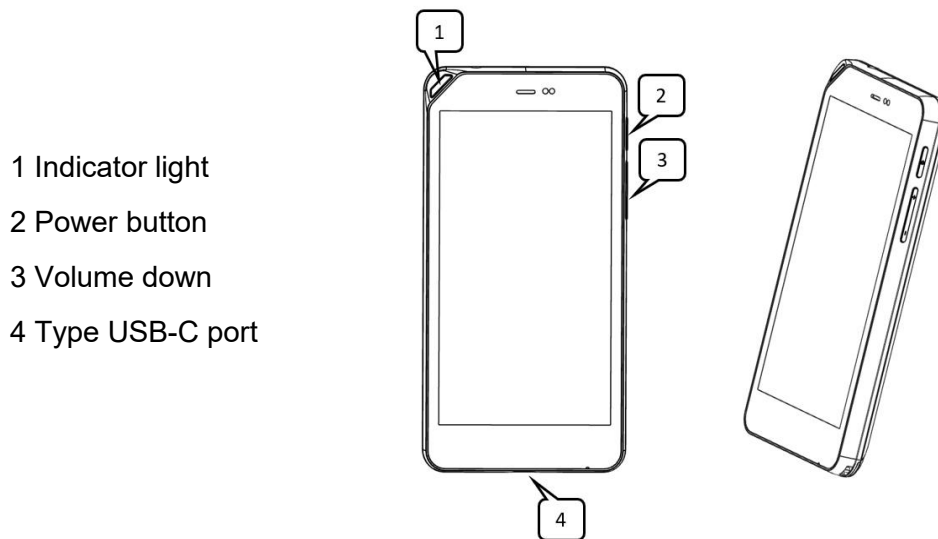
Please read this manual before using the device to ensure safe and correct use.

- Descriptions are based on the device's default settings.
- Images and screenshots may differ in appearance from the actual product.
- Content may differ from the final product, or from software provided by service providers or carriers, and is subject to change without prior notice.
- Available features and additional services may vary by device, software, or service provider.
- Applications and their functions may vary by country, region, or hardware specifications. Famoco is not liable for performance issues caused by applications from any provider other than Famoco.

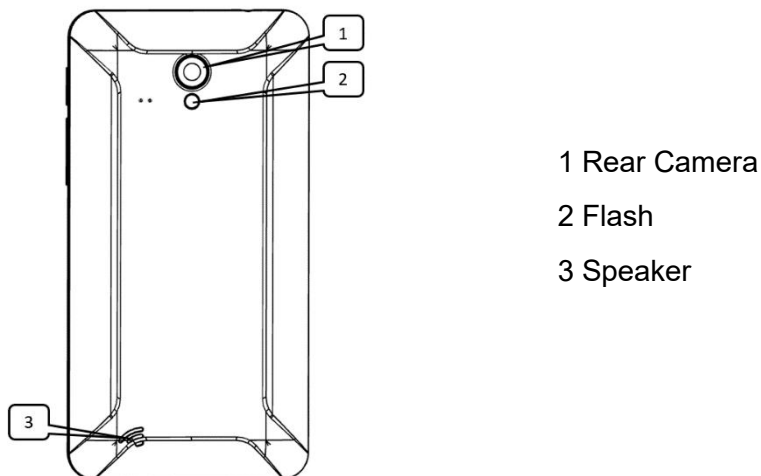
- Famoco is not liable for performance issues or incompatibilities caused by edited registry settings or modified operating system software. Attempting to customize the operating system may cause the device or applications to work improperly.

## 6. Device layout

### 6.1 Overview



### 6.2 Back view



## 6.3 Buttons and the related

Name	Function
<b>Power button</b>	Long press: turn the device ON/OFF Short press: screen ON/OFF (standby mode)
<b>Volume up &amp; down</b>	Press to turn the volume up or down
<b>USB Type C port</b>	Connect the device to a USB type C power source or computer for Data transfer
<b>Indicator light</b>	Turn red to indicate when the device is charging and green when full charge level is reached

## 7. Package contents

Check the product box for the following items:

- Terminal
- Battery
- Power plug
- USB-C cable
- User Manual
- Pre applied Tempered Glass
- Bumper Case

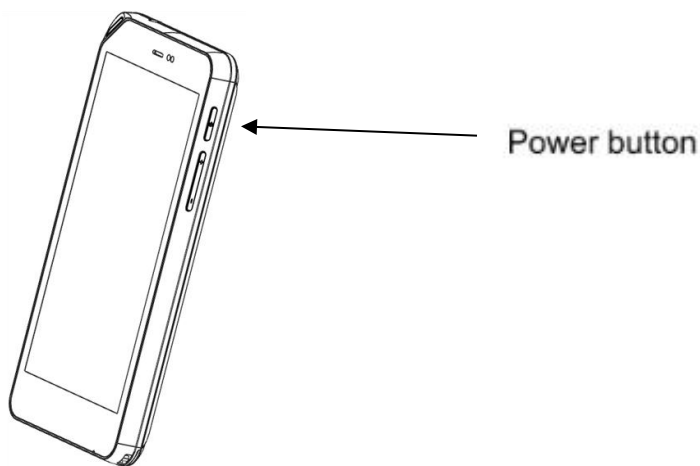
Note:

- The items supplied with the device and any available accessories may vary depending on the region or service provider.
- The supplied items are designed only for this device and may not be compatible with other devices.
- Appearances and specifications are subject to change without prior notice.
- Third-party accessories may not be compatible with your device.

## 8. Getting started

### 8.1 How to switch the device ON or OFF

**To power ON:**



Press and hold the power button for three seconds then release. The home screen will be displayed after a few moments.

**To power OFF:**

Press and hold the power button for two seconds, then select the shut down option on the screen.

**Standby mode:**

The device enters the standby mode after 30 seconds by default if left alone.

## 8.2 Home screen and synchronization

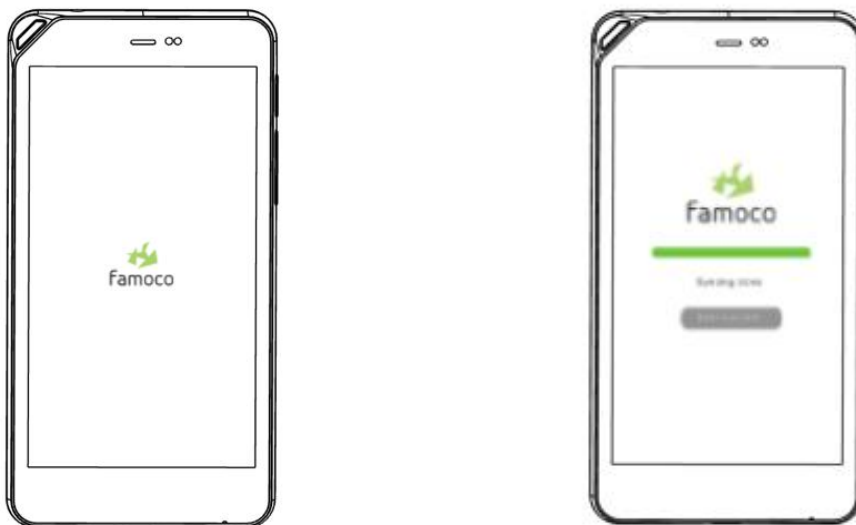
Once your device is switched on it will start synchronizing.

If there are no applications installed on it yet, the device will be locked on a screen that shows the following indication to configure the internet

### Connection:

To set up your device you need connectivity so that it can synchronize. Please install a SIM card or set up Wi-Fi or contact your customer support.

If there is a connection, one of the following screens will appear (depending on the synchronization status):



If the synchronization is in progress, please wait until it is complete.

If the synchronization is complete but no applications have been installed, or if the synchronization has been aborted, please contact your customer support.



### **8.3 LED colors**

The LED on the device can show different colors.

Those colors are defined by the application but there are default features:

- Blinking red: Low battery
- Red: Battery charging
- Green: Battery charged

### **8.4 How to access the dashboard**

When your device is switched on you can access the dashboard by long pressing the home button: In the dashboard you will find:

- Famoco serial number
- Connectivity
- Time
- Battery level
- Brightness (that you can modify)
- Volume (that you can modify)

### **8.5 How to find your specific Famoco ID**

There are two ways of finding the unique Famoco ID:

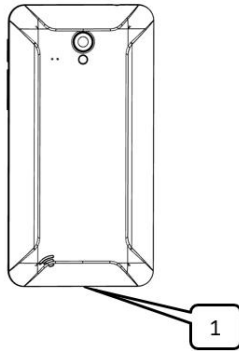
Long press the home button to access the dashboard and then press the owner's name. The Famoco ID is written at the top.

Or:

Open your device and remove the battery (see 8.6 for more information). The serial number is written on the device which is below the battery.

### **8.6 How to charge the device**

To charge the device, only use the Type C and charger head supplied in the box. Use of a different charger and/or cable may damage the device



1. Insert the charger cable carefully. Check that the plug and socket are aligned.
2. The indicator light will turn red to indicate that the device is charging and will turn green when the full charge level is reached.
3. The battery will reach a full charge in 5-6 hours.

The device can also be charged by connecting it to a computer using the type C cable supplied.

Connecting the charger improperly may cause serious damage to the device. Any damage caused by misuse is not covered by the warranty.

Note: The device will power off automatically when the battery reaches 2%.

## 8.7 How to change the battery

1. Unclip the back-left corner where the little nook is and from this angle, remove the back cover.
2. Use the small nook on the bottom to remove the battery.
3. Insert the new battery with the pins located against the gold springs (with the label up).
4. Press the battery down into the case.
5. To replace the back cover, reverse step 1 and push gently to close.

## 8.8 How to use the battery

Charge the battery promptly when empty. Do not leave the battery in a discharged state.

Keep your device and battery cool. High temperatures degrade the battery more quickly. The battery will not charge when over 45°C.

In order to prevent an accelerated degradation of the battery, do not leave on charge for more than 10 hours.

When not using the device for long periods, charge to approximately 40% and remove the battery.

## 8.9 How to read an NFC card

To read an NFC card, flip the device over and bring the card near the back of the device.

The device can read an NFC card at less than 3cm.

Device can read/write read/write NFC forum tags 1,2,3,4, Type MIFARE Classic Tag (full Mifare-ultralight/1k/4k)

## 8.10 About the SIM/SD Card slots

There are 3 slots in the back of the device. The first one is for the SIM card, the 2<sup>nd</sup> one for a MicroSD card, the 3<sup>rd</sup> one is for a SIM card.



Do not attempt to remove any of the installed cards.  
In case of any operational problem, contact your administrator.

# 9. Technical specifications

<b>Processor</b>	Type	MT6739WA, Quad-core, ARM Cortex A53
	Speed	1.28GHz
<b>OS</b>		Famoco OS based on Android 10
<b>Memory</b>	RAM	2GB
	Mass Storage	16GB (ext. Micro SD)
<b>Display</b>	Characteristics	5.0 ",FW (HD 720) IPS type, ratio 16 :9
	Touch Panel	5 Points & Gesture
<b>Secure Elements</b>	Embedded SE	PN80T
	Removable SE	No
<b>NFC</b>	Operating modes	Reader/writer ISO14443 A/B, Felica®, Mifare®
	Supported tags	NFC Forum 1,2,3,4. MIFARE
<b>Connectivity</b>	2G	900/DCS1800/
	3G	900/2100 MHz
	4G	FDD:700/800/900/1800/2100/2600 MHz TDD: 2300/2500MHz
	Wi-Fi	Dual band (2.4GHz and 5GHz) 802.11 a/b/g/n
	Bluetooth	4.2
<b>Camera</b>	Rear camera	8MP
<b>Speaker, Microphone, Accelerometer</b>		Yes
<b>Size</b>	L x W x H	148*74.0*16mm
<b>Weight</b>		201g
<b>Battery</b>		4000mAh
<b>Power supply</b>		USB Type C

## 10. Warranty information

The warranty does not apply to defects or errors in the product caused by:

1. Normal wear and tear, misuse, mishandling, and physical damage.
2. Exposure to water or any other liquids or solvents.
3. Any unauthorized disassembly, repair or modification.
4. Power surges, lightning, fire, flood or other natural events.
5. Use with unauthorized third-party products such as generic chargers.
6. Any other cause beyond the range of normal usage for products.
7. The end-user shall have no right to reject, return, or receive a refund for any product under the above-mentioned situations, not excluding your statutory rights under national law.

## 11. Safety and general information

The device contains delicate electronic circuitry, magnets, and battery systems. You should treat it with care and pay attention to the following points:

- Handle the device with care. Do not drop or throw the device. Do not immerse it in any liquid.
- Do not place the device near computer disks, credit cards, and other magnetic media. The information contained on disks or cards may be erased or damaged.
- Do not leave the device or battery in direct sunlight or near other heat sources where temperatures could exceed 45°C.
- Keep the device and all accessories away from children.
- In the unlikely event of battery leakage, avoid contact with eyes or skin. In the event of contact, rinse with water and consult a doctor.
- Observe and obey warning signs at petrol stations, airports, and hospitals.

- The operation of some medical electronic devices, such as hearing aids and pacemakers, may be affected by the device.
- Take care not to allow metal objects such as coins or keys to come into contact with the battery terminals.
- Do not dispose of batteries in a fire.
- Do not throw used batteries into household rubbish, return them to a recycling point.
- When the battery is thrown away, cover the terminals with insulating tape.
- Be careful not to pierce the battery with sharp objects and do not use damaged batteries.
- Do not disassemble or modify the battery.
- Stop using the battery if abnormal heat, smell, discoloration, deformation, or abnormal condition is detected during use, charge, or storage.
- Do not put the battery in your mouth.
- Only use original replacement batteries.
- Do not connect the device to non-genuine or 3rd party chargers.
- Do not attempt to dismantle the device or any of its accessories.
- Do not put the device into a microwave oven, dryer, or high-pressure container.
- Don't use the device immediately after a sudden temperature change e.g. from an air-conditioned environment to high temperature and humidity outside. In such cases, there could be condensing moisture inside the device, which can cause internal damage. Switch off and leave for 30 minutes before use.
- Do not use the device where blasting is in progress.

- Do not leave the device at the bottom of the bag where it may be damaged by sharp objects.
- Take care when the device is in your pocket.
- Sitting down or sharp objects may damage the device.
- At high volume, ever-lasting listening to audio devices can cause hearing loss.
- Do not leave the device discharged or disconnected for long periods of time; your personal data may be lost, and your battery life will be reduced.
- Under poor network conditions, battery life is considerably reduced.
- Please recycle the packaging and all parts.
- Emergency service coverage is dependent on network availability and battery status.
- It is always good practice to switch off the device regularly.
- Do not expose the device to oils or solvents.
- It is normal for the device to become warm while the battery is being charged.
- The information & images in this guide are valid at the time of publication of the guide. Changes to this information & images can be made without prior notice.

## 11.1 Electromagnetic waves safety information – SAR

Your device is designed to not exceed the radio wave limits recommended by the European authorities. These limits include safety margins to ensure the protection of all persons regardless of their age or health.

The SAR (specific absorption rate) of mobile phones quantifies the maximum level of exposure of the user to electromagnetic waves, for aural use. European legislation stipulates that the SAR must not exceed 2 W/kg averaged over 10g of tissue.

The value of the SAR is determined on the basis of the highest level of radio frequencies emitted during laboratory tests.

The actual value of the SAR during use of the device is lower than this level.

The value of the SAR of the device can vary according to the following factors: how far/close the device is to a relay antenna, use of accessories and others.

The maximum SAR level of your device is given in the following table:

Position	SAR value
Head	0.36 W/Kg
Body	1.14 W/Kg

Body-worn SAR testing has been carried out at a separation distance of 0.5cm. This device is in accordance with the regulations regulating the exposure at radio frequencies when it is used at a minimal distance of 0.5cm from the body.

### NOTE:

- i. The SAR value may vary, depending on national reporting and testing requirements and the network band.
- ii. In certain locations such as aircraft, hospitals, service stations and professional garages or while driving a vehicle, the use of this device may be forbidden. The electromagnetic waves from the device can disrupt the performance of electronic devices used in these locations.



Please always abide by any indication, sign or prescription that forbids the use of mobile phones.

- iii. We recommend that you switch off your device or switch it to flight mode in these locations to avoid interference.
- iv. If you use an electronic implant (pacemakers, insulin pumps, neurostimulators, etc.), please keep a distance of 15cm between the device and your electronic implant.
- v. When using a pedestrian kit, headphones or headset, pregnant women should keep the device away from their abdomen and teenagers should keep the device away from their lower abdomen.

Advice to reduce the level of exposure to radiation:

- Please use your device where reception is good to reduce the quantity of radiation received (avoid using in an underground car park or when travelling (train or car)).
- A reception icon indicates the quality of reception on your device. A 4-full bar display means that reception is good.

## **12. Declaration of Conformity**

FAMOCO SAS declares that the radio equipment type FX205SE is in compliance with Directive 2014/53/EU, The full text of the eu declaration of conformity is available at the following internet address:  
<https://www.famoco.com/conformity/>

# 13. Frequency band information

FX205SE radio equipment operates with the following frequency bands and maximum radio-frequency power

Type	Supported frequency bands	Max Power(dBm)
2G	900	33
	1800	31
3G	900	24
	2100	24
4G	BAND 1	23
	BAND 3	24
	BAND 7	24
	BAND 8	23
	BAND 20	23
	BAND 28	23
	BAND 40	25
WIFI	2.4G	16
	5G	16
BT	8	
BLE	6	

# 14. Restrictions in the 5 GHz band

According to Article 10(10) of Directive 2014/53/EU, the packaging shows that this radio equipment will be subject to some restrictions when placed on the market in Belgium(BE), Bulgaria(BG), the Czech Republic(CZ), Denmark(DK), Germany(DE), Estonia(EE), Ireland(IE), Greece(EL),Spain(ES),France(FR), Croatia(HR), Italy(IT),Cyprus(CY), Latvia(LV), Lithuania(LT),Luxembourg(LU), Hungary(HU), Malta(MT), Netherlands(NL), Austria(AT),Poland(PL), Portugal(PT), Romania(RO), Slovenia(SI), Slovakia(SK), Finland(FI), Sweden(SE), NorthernIreland(UK(NI)), Turkey(TR), Norway(NO),Switzerland(CH), Iceland(IS), and Liechtenstein(LI).



# famoco

Enabling Digital Transactions